

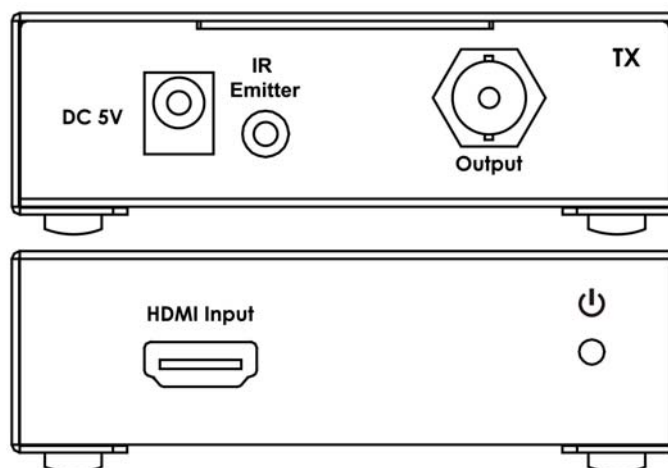
Pro.2

HDMI Over Single Coax Extender

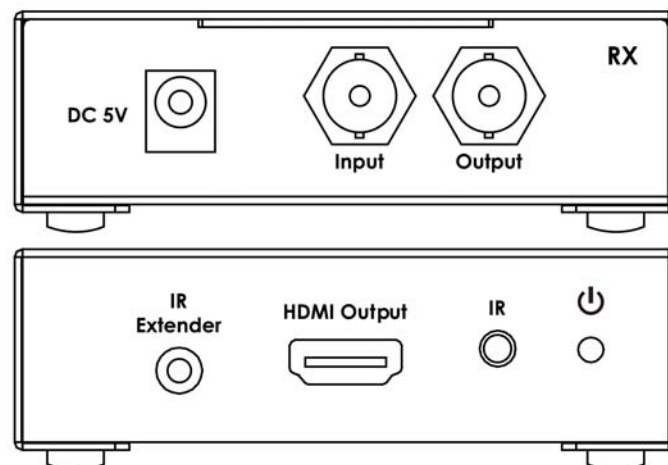
HDMIRG6

User Manual

Transmitter



Receiver



Notice

PRO2 reserves the right to make changes in the hardware, packaging and any accompanying documentation without prior written notice.

© 2012 PRO2, All Rights Reserved

All trademarks are the property of their respective companies

CONTENTS

- 1 Introduction
- 2 Features
- 3 Transmitter Unit Panel Layout
- 4 Transmitter Unit Panel Descriptions
- 5 Receiver Unit Panel Layout
- 6 Receiver Unit Panel Descriptions
- 7 Connecting and Operating the HDMI Over Coax Extender
- 8 Specifications
- 9 Compliance

INTRODUCTION

The HDMIRG6 HDMI Over Single Coax Extender

The HDMIRG6 HDMI Over Single Coax Extender sends HDMI signals over just one 75Ohm Coaxial cable -- up to 120 meters (400 feet). The HDMIRG6 HDMI Over Single Coax Extender supports HDMI 1.2 and the newer HDMI 1.3 with features such as Deep Color and 1080p. DVI-D Computer video can also be transmitted with a DVI-to-HDMI cable

By using standard and widely available 75Ohm RG-6U cables, the HDMIRG6 HDMI Over Single Coax Extender makes HDMI signal extensions easier than with heavy and expensive copper cables and more robust than with optical fiber.

How it connects

The HDMIRG6 HDMI Over Single Coax Extender system consists of a Transmitter and a Receiver. The HDMI source (set-top box, DVD player, or gaming console) connects to the Transmitter box with an HDMI cable. The Receiver box connects to the HDTV display in the same way -- up to 120 meters (400 feet) away. One 75Ohm RG-6U Coax cables links the Transmitter and Receiver. Power is applied to the Transmitter and Receiver with the included 5V DC power supplies. The HDMI picture and sound emerges on the HDTV display.

Note : The HDMIRG6 HDMI Over Single Coax Extender is HDCP compliant.

FEATURES

Features

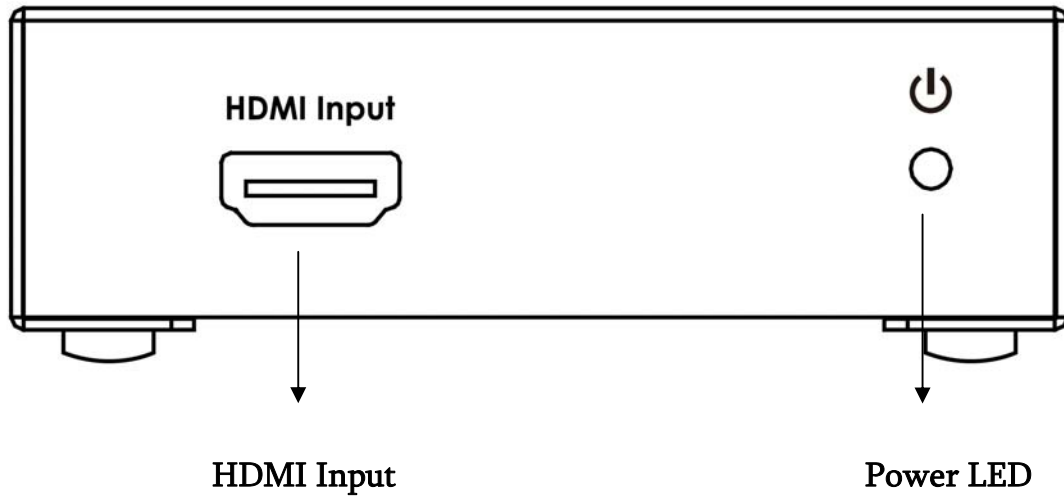
- Flexible extension of high-bandwidth HDMI 1.3 thanks to the performance and reliability of 75Ohm RG-6U Coax cable.
- Audio and video are transmitted digitally over the 75Ohm RG-6U Coax cable for zero signal loss.
- Single Link Range: 1080p/60, 8 bit color depth, 1920x1200.
- Compliant with HDMI 1.3, HDCP 1.2 and DVI1.1 standards
- Supports digital video formats in Deep Color Mode.
- Supports 5.1/7.1 Ch. Surround Sound (LPCM) / Dolby Digital / DTS / DTS-HD
- Supports Cascade function in Receiver; easy for installer to build a networked system.
- Lip-Sync Pass-through
- Supports IR Pass-through for control of HDMI source device (set-top box, DVD player and Blue ray DVD Player) via Receiver by the source's IR remote controller.

Package Includes

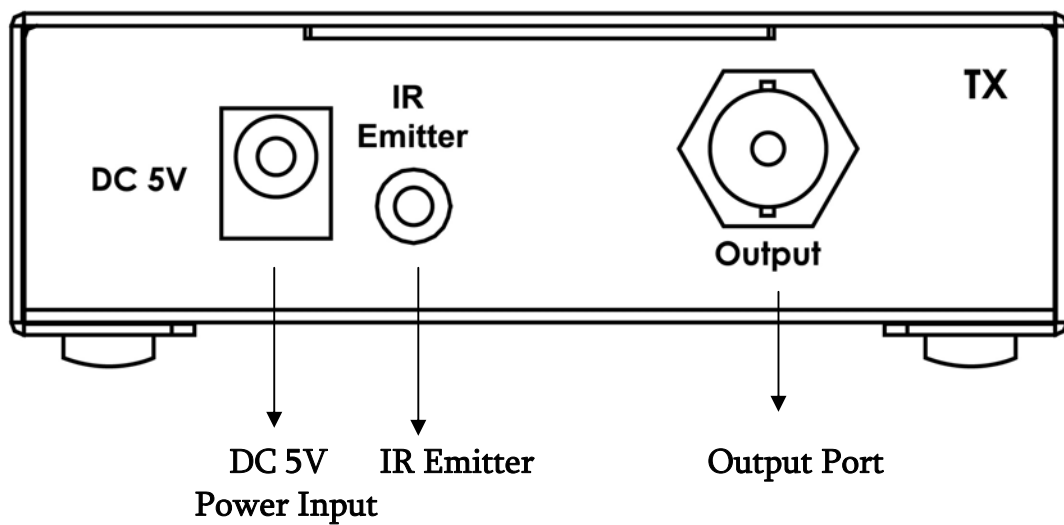
- (1) HDMIRG6-TX HDMI Over Single Coax Transmitter
- (2) HDMIRG6-RX HDMI Over Single Coax Receiver
- (3) 2x 5V DC Power Supply
- (4) 1x BNC Cap
- (5) User Manual
- (6) IR Emitter Cable
- (7) IR Extender Cable

TRANSMITTER UNIT PANEL LAYOUT

Front Panel



Back Panel



TRANSMITTER UNIT PANEL DESCRIPTIONS

1 HDMI Input

Connect the HDMI cable between HDMI output port of source device and this HDMI Input port.

2 Power LED

This LED indicator will activate once the included 5V DC power adapter has been properly connected between the Transmitter unit and an active power socket.

3 DC5V Power Input

Connect the included 5V1A DC power supply to this input port.

4 IR Emitter

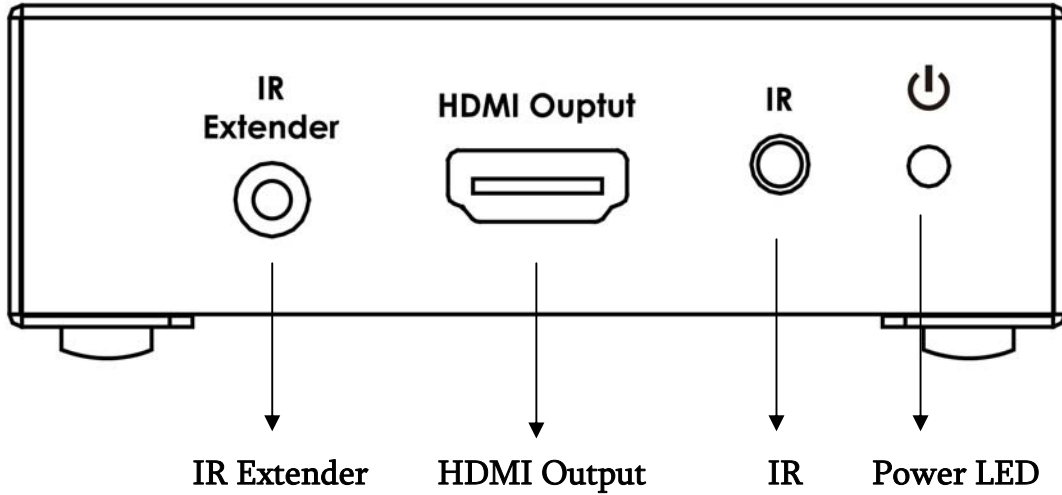
Connect an IR Emitter Cable to this IR port and stick IR emitter module on the IR receiver zone of HDMI source (set-top box, DVD player and Blue ray DVD Player).

5 Output Port

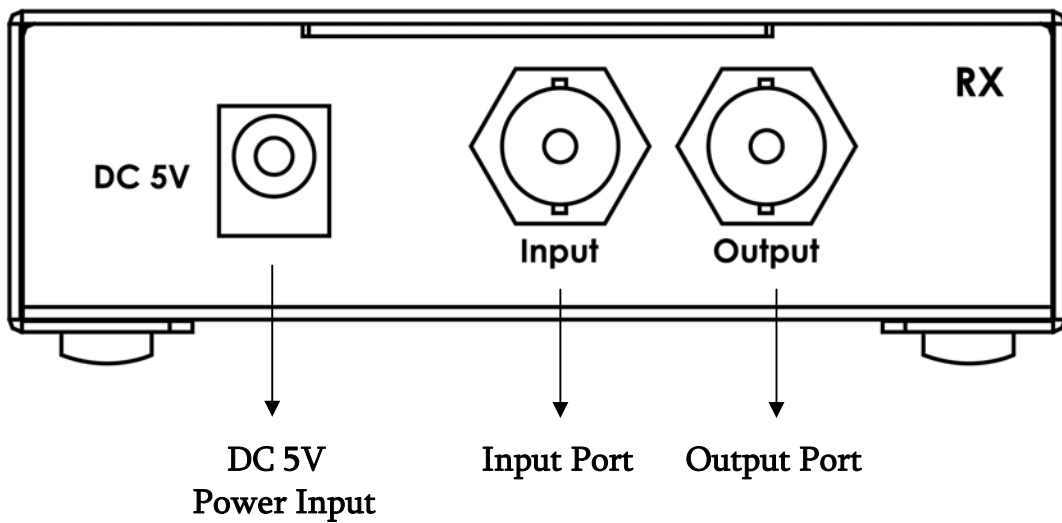
Connect 75Ohm RG-6U Coax cables between this output port and the Coax BNC input port of the Receiver unit.

RECEIVER UNIT PANEL LAYOUT

Front Panel



Back Panel



RECEIVER UNIT PANEL DESCRIPTIONS

1. Power LED

This LED indicator will activate once the included 5V DC power adapter has been properly connected between the Receiver unit and an active power socket.

2. IR

Once IR emitter cable has been connected between Transmitter and the source device, the source device can be controlled at the Receiver end by the source's IR remote controller.

3. HDMI Output

Connect the HDMI cable between HDMI input port of HDTV display and HDMI output port of Receiver unit.

4. IR Extender

After the IR emitter cable between Transmitter unit and source device is connected, and the IR Extender cable is connected to this port, the IR signal can be extended allowing the user to control the source device from IR Receiver Module of the IR extender cable.

Please note once IR extender cable has been connected, the IR on the Receiver unit won't function.

5. DC5V Power input

Connect the included 5V DC power supply to this input port.

6. Input port

Connect a 75Ohm RG-6U Coax cable between this input port and the output port on the Transmitter unit.

7. Output Port

Connect a 75Ohm RG-6U Coax cable between this output port and the input port on the extra Receiver unit. If it doesn't connect to an extra Receiver unit, please fit the provided BNC cap to this port.

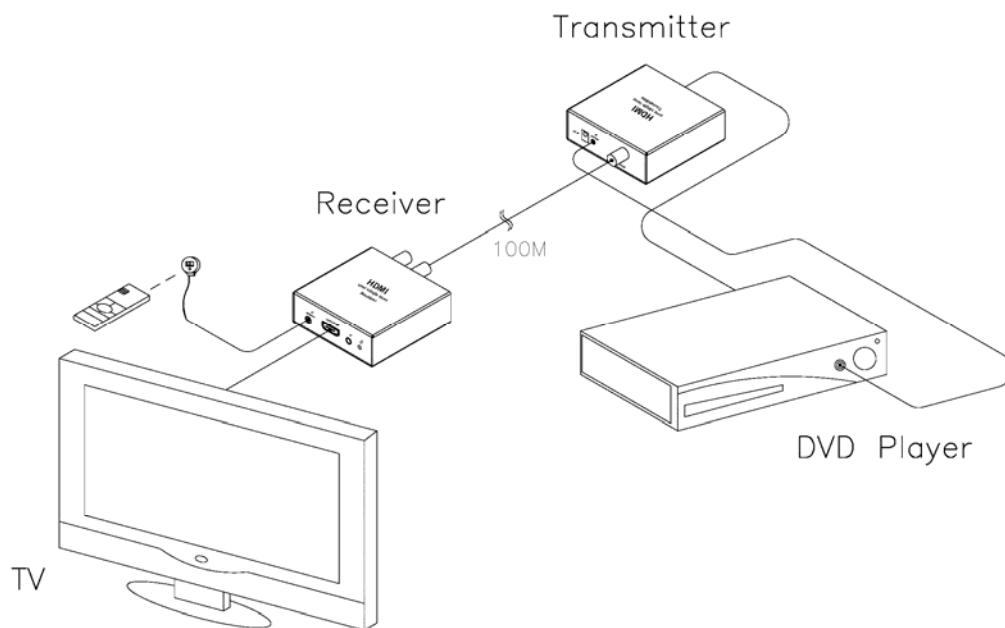
CONNECTING AND OPERATING

How to Connect the HDMIRG6 HDMI Over SINGLE COAX Extender

One Source to One Display Function

1. Connect one HDMI cable between HDMI output port of source device and HDMI input port of Transmitter unit.
2. Connect one 75Ohm RG-6U Coax cable between the Coax BNC output port of Transmitter unit and Coax BNC input port of Receiver unit.
3. Connect one HDMI cable between HDMI input port of HDTV display and HDMI output port of Receiver unit.
4. Connect the included 5V DC power supplies to both Transmitter and Receiver units.
5. Power on the output device (eg TV) firstly and the source device secondly (eg DVD Player).

Please refer to the following diagram



CONNECTING AND OPERATING

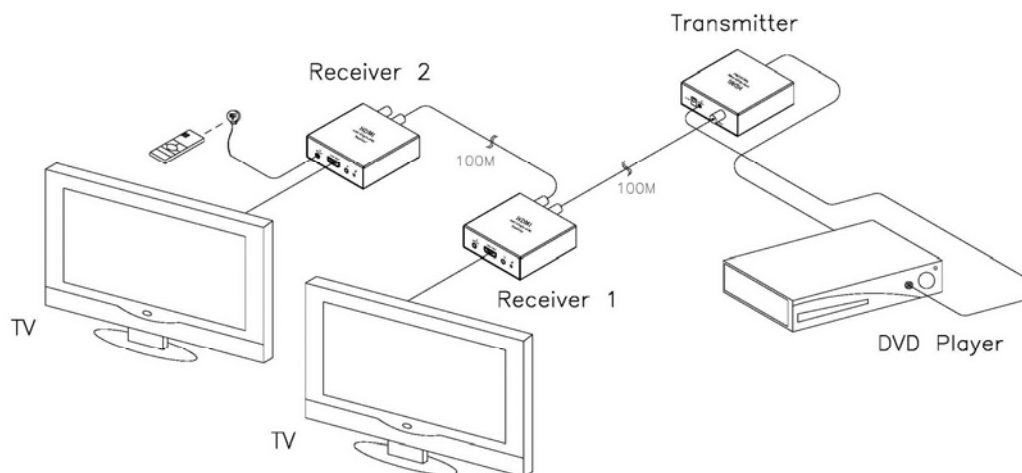
How to Connect the HDMIRG6 HDMI Over SINGLE COAX Extender

One Source to Many Displays Function

1. Connect one HDMI cable between HDMI output port of source device and HDMI input port of Transmitter unit.
2. Connect one 75Ohm RG-6U Coax cable between Coax BNC output port of Transmitter and Coax BNC input port of Receiver 1.
3. Connect one 75Ohm RG-6U Coax cable between Coax BNC output port of Receiver 1 and Coax BNC input port of Receiver 2.
4. Connect the HDMI input port of HDTV display to the HDMI output ports of Receiver 1 & 2 with HDMI cables.
5. Connect the included 5V DC power supplies to the Transmitter and Receiver 1 & 2 units.
6. Power on the output devices firstly and the source secondly.

Note. If Receiver doesn't connect to an extra Receiver, please fit the provided BNC cap.

Please refer to the following diagram



SPECIFICATIONS

PERFORMANCE	
HDTV Resolutions	720p, 1080i, 1080p
Video Bandwidth	10.2Gbps
Input Video Signal	1.2 Volts P-P
Input DDC Signal	5.0 Volts P-P
I/O CONNECTORS	
Transmitter	
Inputs	1x HDMI 19PIN Connector
Outputs	1x BNC Jack
	1x 3.5mm Jack-IR Emitter
Receiver	
Inputs	1x BNC Jack
	1x 3.5mm Jack-IR Extender
Outputs	1x HDMI 19PIN Connector
	1x BNC Jack
MECHANICAL	
Transmitter	
Dimensions (H-W-D)	98.5x92.3x28mm
Weight	0.3kg
Receiver	
Dimensions (H-W-D)	98.5x92.3x28mm
Weight	0.3kg
WARRANTY	
Limited Warranty	1 Year Parts and Labor
ENVIRONMENTAL	
Operating Temperature	+0 to +40° C (+32° to 104° F)
Operating Humidity	10% to 85% (Non-condensing)
Storage Temperature	-20° to +60° (+20° to +140° F)
Storage Humidity	10% to 85% (Non-condensing)
REMOTE CONTROL	
Infrared	IR Remote (Front)

POWER REQUIREMENTS	
External Power Supply	5VDC@1A
Power Consumption	5 Watts (Max.)
SAFETY	
Certificate	FCC, CE, RoHS
Power Adapter	UL, CE, CSA, CEC, RoHS
ACCESSORIES	
1x AC Power Adapter	AU Type
1x Instruction Manual	

COMPLIANCE

The HDMIRG6 HDMI Over Single Coax Extender have been tested for compliance with appropriate FCC and CE rules and regulations and are also RoHS compliant.

The Power Adapter has been tested for compliance with UL, CE and CSA rules and regulations and are also RoHS compliant.

HDMIRG6 User Manual

www.pro2.com.au